

私達また進化した。
歯科安全のために、

AEROSOL SUCTION

Aerosol suction machine [**Movable**]

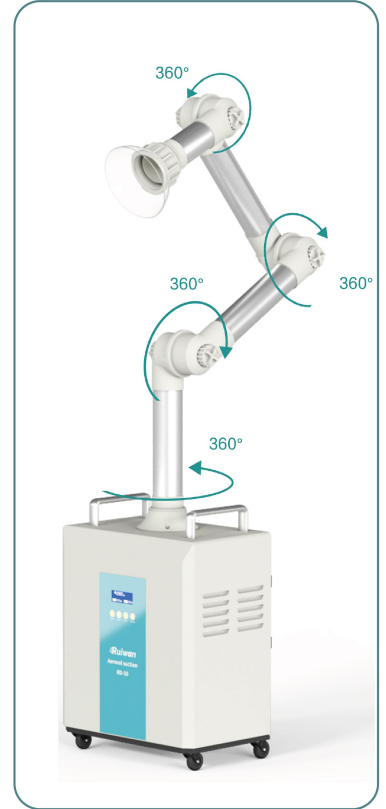
H13 – H14 U15 – U16 HEPA
Multiply Panel Filter Design
Automatic Alarm
3 layers filteration + UVC Lamp

Ruiwan 瑞万

URL:<http://www.zsruiwan.com.cn> e-mail:Lester@zsruiwan.com.cn

TECHNICAL SPECIFICATION

Model	RD50
Voltage	110V 60hz / 220V 60hz
Power	180W
Air Flow Rate	310 m ³ /h
Noise	36db
Filtration Effect	0.3 μ m 99.97%
Size	400x255x545mm
N.W	21kg
Diameter of Flange	75mm
Filters layer	3 layer + UVC
Folding Arm Length	1.4 meter
Folding Arm Diameter	63mm
Negative pressure	2.2kpa



Note : Each machine comes standard with one 2.4G remote control

PRODUCTS FEATURES

- I H13 - H14 ; U15 - U16 HEPA, High Filtering Effect
- II Multiply Panel Filter Design
- III 10 gear system can adjust the air flow rate
- IV Easily Suck up the 10kg Tray (Has test video)
- V 1 Year Warranty + Automatic Alarm

FILTERS INTRODUCTION

RD50 use 3 layer filtration + 1 UVC lamp

- It is made up of 1 piece of washable primary effective filter
- 1 piece of Water vapor absorbing filter
- 1 piece of H13 HEPA
- The filtered gas will be sterilized

PACKING LIST

Model	RD50	Folding Arm
Package Size	500x360x580mm	500x350x250mm
Gross Weight	16kg	2.5kg
CBM	0.1044	0.04375
Volumetric Weight	20.8kg	8.75kg



* Calculation method of CBM : Long x Wide x High (meter)
 * Calculation method of Volumetric weight : Long x Wide x High (centimeter) ÷ 5000

INTRODUCTION TO STERILIZATION AND FILTRATION



RD50 Standard Filters

First layer – Washable primary effective filter

1. Period Frequency : 15 – 30 Days
2. Material : Aluminum alloy frame ; **Washable synthetic fiber**
3. Features : Preliminary filter droplets, aerosols, cutting dust debris, blood
4. Size : 360*220*20mm
5. Weight : 40 gram



Second layer – Water vapor absorbing filter

1. Period Frequency: 2 – 3 Month
2. Material : Aluminum alloy frame ; **Special synthetic fiber**
3. Features: Absorb all moisture , droplets , aerosols and oil
4. Size : 360*220*100mm
5. Weight : 530 gram



Third layer – H13 HEPA

1. Period Frequency: 6 – 8 Month
2. Material : Aluminum alloy frame ; **H13 glass fiber**
3. Features : Blocking particles less than 0.3 micron
4. Size : 360*220*50mm
5. Weight : 830 gram



Standard Sterilize

Last layer – UVC disinfection lamp

1. Features : Disinfection and sterilization
2. Wavelength : 253.7nm



Options

Last layer – Plasma ionizer

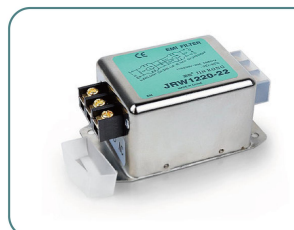
1. Features : Disinfection and sterilization



Foot switch

Options

1. Features :
Replace the hands to achieve the purpose of operating the machine



Wave filter

Standard

1. Features :
Prevent signals from interfering with other medical equipment

WORKING PRINCIPLE

Complete purification process

- I The nozzle absorbs droplets
- II Washable primary effective fillter
- III Water vapor absorbing filter
- IV H13 HEPA
- V DC Brushless Motor (Fan)
- VI Single UVC lamp + Plasma
- VII Clean Emission



- I Power switch
- II UVC Lamp switch
- III Observation port

Automatic alarm function

When the filter element is saturated, the machine will automatically alarm to remind the replacement of the filter element

A small hole is reserved in the disinfection area of the UVC lamp of the machine to observe whether the UVC lamp continues to work.

WORKING PRINCIPLE



RD50 Absorption capacity

After testing, RD50 can completely absorb the droplets generated from the patient's mouth and the aerosol staying in the air during oral diagnosis and treatment.

Appropriate air volume will not make customers feel uncomfortable and the sound of the machine is quieter than 36db due to the effect of sound insulation material.

Certificate



TECHNICAL SPECIFICATION

Model	RD80
Voltage	110V 60hz / 220V 60hz
Power	220W
Air Flow Rate	340 m ³ /h
Noise	36db
Filtration Effect	0.3 μm 99.97%
Size	400x255x595mm
N.W	24kg
Diameter of Flange	75mm
Filters layer	4 layer + UVC
Folding Arm Length	1.4 meter
Folding Arm Diameter	63mm
Negative pressure	2.3kpa



Note : Each machine comes standard with one 2.4G remote control

PRODUCTS FEATURES

- I H13 - H14 ; U15 - U16 HEPA, High Filtering Effect
- II Multiply Panel Filter Design
- III 4 layers filtration + UVC Lamp + Plasma Antivirus
- IV Easily Suck up the 10kg Tray (Has test video)
- V 1 Year Warranty + Automatic Alarm

FILTERS INTRODUCTION

- I RD80 use 4 layer filtration + 2 UVC lamp
- It is made up of 1 piece of washable primary effective filter
 1 piece of Water vapor absorbing filter
 1 piece of H13 HEPA
 1 piece of Active carbon
 2 UVC lamp
 1 piece of plasma + 1 piece of wave filter
 The filtered gas will be sterilized

PACKING LIST

Model	RD80	Folding Arm
Package Size	500x360x640mm	500x350x250mm
Gross Weight	20.5kg	2.5kg
CBM	0.1152	0.04375
Volumetric Weight	23kg	8.75kg



* Calculation method of CBM : Long x Wide x High (meter)
 * Calculation method of Volumetric weight : Long x Wide x High (centimeter) ÷ 5000

WORKING PRINCIPLE

Complete purification process

- I The nozzle absorbs droplets
- II Washable primary effective filter
- III Water vapor absorbing filter
- IV H13 HEPA
- V Active carbon filter
- VI DC Brushless Motor (Fan)
- VII Double UVC lamp + Plasma
- VIII Clean Emission



Automatic alarm function

When the filter element is saturated, the machine will automatically alarm to remind the replacement of the filter element

A small hole is reserved in the disinfection area of the UVC lamp of the machine to observe whether the UVC lamp continues to work.

WORKING PRINCIPLE



RD80 Absorption capacity

After testing, RD80 can completely absorb the droplets generated from the patient's mouth and the aerosol staying in the air during oral diagnosis and treatment.

Appropriate air volume will not make customers feel uncomfortable and the sound of the machine is quieter than 36db due to the effect of sound insulation material.

Certificate



INTRODUCTION TO STERILIZATION AND FILTRATION



RD80 Standard Filters

First layer – Washable primary effective filter

1. Period Frequency : 15 – 30 Days
2. Material : Aluminum alloy frame ; **Washable synthetic fiber**
3. Features : Preliminary filter droplets, aerosols, cutting dust debris, blood
4. Size : 360*220*20mm
5. Weight : 40 gram



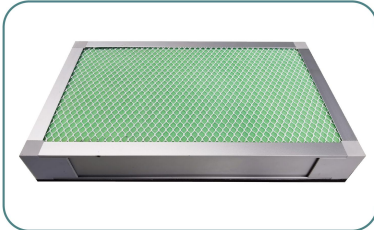
Second layer – Water vapor absorbing filter

1. Period Frequency : 2 – 3 Month
2. Material : Aluminum alloy frame ; **Special synthetic fiber**
3. Features : Absorb all moisture , droplets , aerosols and oil
4. Size : 360*220*100mm
5. Weight : 530 gram



Third layer – H13 HEPA

1. Period Frequency : 6 – 8 Month
2. Material : Aluminum alloy frame ; **H13 glass fiber**
3. Features : Blocking particles less than 0.3 micron
4. Size : 360*220*50mm
5. Weight : 830 gram



Fouth layer – Active carbon filter

1. Period Frequency : 9 – 12 Month
3. Material : Aluminum alloy frame ; **Medication immersion active carbon**
2. Features : Absorb odor and fume, eliminate viruses
4. Size : 360*220*50mm
5. Weight : 1240 gram



Standard Sterilize

Last layer – Double UVC disinfection lamp

1. Features : Disinfection and sterilization
2. Wavelength : 253.7nm



Options

Last layer – Plasma

1. Features : Disinfection and sterilization



Foot switch

Options

1. Features : Replace the hands to achieve the purpose of operating the machine



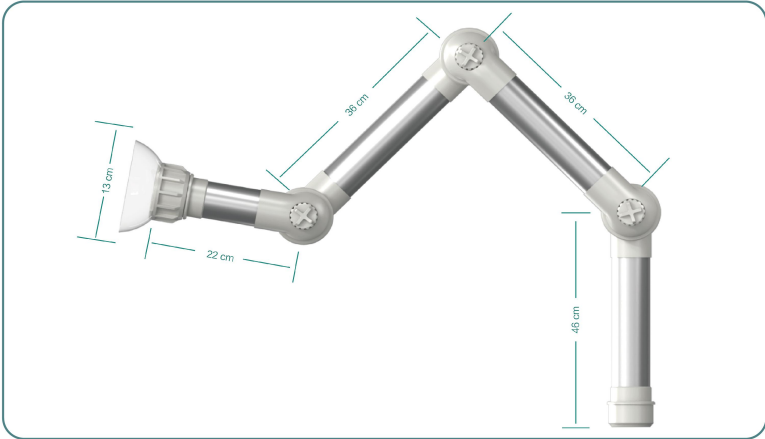
Wave filter

Standard

1. Features : Prevent signals from interfering with other medical equipment

TECHNICAL SPECIFICATION

Model	RD90
Voltage	110V 60hz / 220V 60hz
Power	160W
Air Flow Rate	200 m ³ /h
Noise	40db
Filtration Effect	0.3 μ m 99.97%
Size	310*225*700mm
N.W	10kg
Diameter of Flange	75mm
Filters layer	3 layer + UVC lamp
Folding Arm Length	1.4 meter (Can be extended)
Folding Arm Diameter	63mm (Outer diameter)
Negative pressure	1.8kpa



SUMMARY

Ruiwan developed an aerosol equipment necessary for dental clinics – off mouth aerosol suction extractor RD90 effectively concentrated oral diagnosis and treatment process with bacteria aerosols, through the original high-efficiency filter layer can effectively absorb water vapor, equipping .HEPA effective filter 99.95% droplets,aerosols, so that the air continues to fresh, clean, improve the cleanliness of the diagnosis and treatment environment, reduce cross-infection, to achieve the purpose of anti-infection.

Note: The connection of the pipe is made of ABS plastic which is integrated with the fuselage and is durable Can be extended to 2 meters if needed

Note: In addition to the standard nozzle/cup/cover there are 2 larger smoking hoods to choose Standard cover size is: 130 x 70 mm (Diameter and height)

Optional cover size is :
 Square cover : 310 x 410mm (Long and wide)
 Round cover : 355 x 136mm (Diameter and height)

PACKING LIST

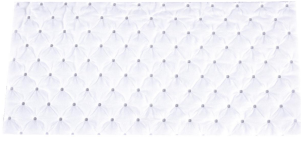
Model	RD90
Package Size	500x370x850mm
Grose Weight	15kg
CBM	0.157
Volumetric Weight	31.5kg

FILTERS INTRODUCTION

RD90 use 3 layer filtration + 1 UVC lamp

It is made up of
 1 piece of Water vapor absorbing filter
 1 piece of H13 HEPA
 1 piece of Medication immersion active carbon filter.
 Equipped with one UV lamp, plasma can be installed

INTRODUCTION TO STERILIZATION AND FILTRATION



RD90 Standard Filters

First layer – Water vapor absorbing filter

1. Period Frequency: 1 Month
2. Material : Special synthetic fiber
3. Features: Absorb all moisture , droplets , aerosols and oil
4. Size : 235*151*238H mm



Second layer – H13 HEPA (Optional H13–H14 ; U15–U16)

1. Period Frequency: 4 Month
2. Material : ABS plastic frame; H13 glass fiber
3. Features : Blocking particles less than 0.3 micron
4. Size : 280*195*250H mm



Third layer – Medication immersion active carbon filter

1. Period Frequency : 6 Month
2. Material : ABS plastic frame ; Medication immersion active carbon
3. Features : Absorb odor and smoke, eliminate viruses
4. Size : 450*230 mm



Last layer – UVC disinfection lamp

1. Power : 10w
2. Features : Disinfection and sterilization
3. Wavelength : 253.7nm



Plasma

Options

1. Features : Disinfection and sterilization



Wave filter

Standard

1. Features : Prevent signals from interfering with other medical equipment

DISINFECTION AND CLEANING METHODS

Cover

Spray with alcohol or anti-toxic aerosol after each use

Folding arm

Adjust the machine to the maximum gear (LV10) and run continuously for 5 minutes.
Regular remove the folding arm and spray with disinfectant or alcohol to clean. (75% alcohol concentration)

Machine

First adjust the machine to the fifth gear (LV5) , and then spray an appropriate amount of alcohol to the air inlet and run continuously for 5 minutes. (75% alcohol concentration)

FOLDING ARM

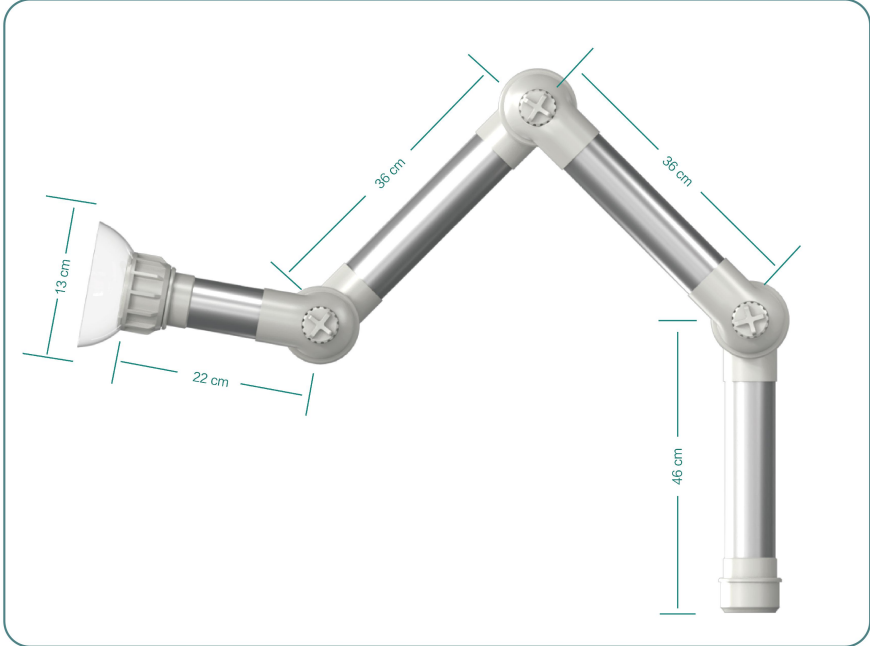
Name :
360° multi direction folding arm

Material :
ABS plastic and aluminum alloy tube

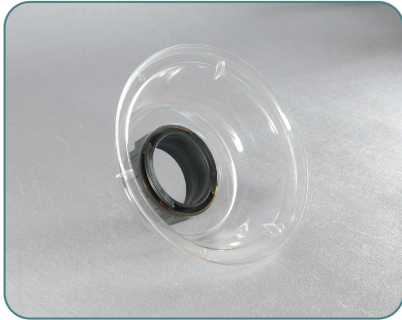
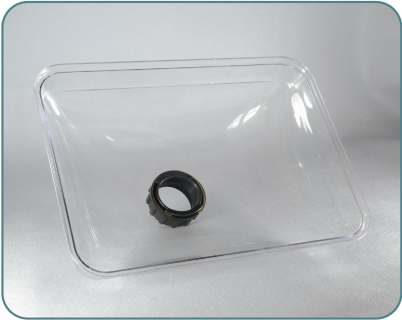
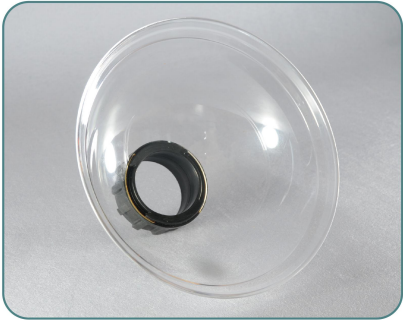
Diameter :
63mm

length :
1.4 meter (Can be extended)

Advantage :
Sturdy and durable, will not deform and soften after long-term use
Very convenient to adjust angle, height and length



SMOKING HOOD



<p>Large round cover Size : 355 x 136mm (Diameter and height)</p>	<p>Square cover Size : 310 x 410mm (Long and wide)</p>	<p>Small round cover Size : 130 x 70 mm (Diameter and height)</p>
--	---	--

All transparent cover materials Food grade plastic

DISINFECTION AND CLEANING METHODS

Cover
Spray with alcohol or anti-toxic aerosol after each use

Folding arm
Adjust the machine to the maximum gear (LV10) and run continuously for 5 minutes.
Regular remove the folding arm and spray with disinfectant or alcohol to clean. (75% alcohol concentration)

Machine
First adjust the machine to the fifth gear (LV5) , and then spray an appropriate amount of alcohol to the air inlet and run continuously for 5 minutes. (75% alcohol concentration)